

Tracoe Twist Plus – REF 313

Tracoe Twist Plus

Product Description

The Tracoe Twist Plus tracheostomy tubes are used as ventilation and therapy tubes with inner cannulas in hospitals, rehabilitation, and community settings. A special feature is the curved neck flange that moves in both the vertical and horizontal axes, following the movements of the patient's head. The thin tube walls of inner and outer cannulas allow for a good inside - outside diameter ratio. Tracoe Twist and Twist Plus tracheostomy tubes are made of polyurethane (PU). The low-pressure cuff is made of medical grade PVC.



Scope of Supply

- 2 inner cannulas with 15 mm connector
- Perforated obturator
- Neck strap

General Information

Product line	Twist Plus
Legal manufacturer	Tracoe Medical GmbH Reichelsheimer Str. 1/3 55268 Nieder-Olm, Germany
Country of origin	Germany
Colour Coding	REF 313 ++
Handling	
Shelf life	5 years, from date of production
Maximum Useful Life	5 weeks, from first use

Packaging

Packaging unit	1 unit
Weight	See Table
Dimensions (W x H x L)	200 x 113 x 50 mm
Material outer packaging:	Cardboard box
Material sterile packaging:	Sterile bag with medical paper and transparent heatsealable PET/PP foil

Material Specifications

Material Outer cannula	Polyurethane
Material Neck Flange	Polycarbonate
Material Cuff	Polyvinylchloride
Biocompatibility	EN ISO 10993-1

Storage



Certification

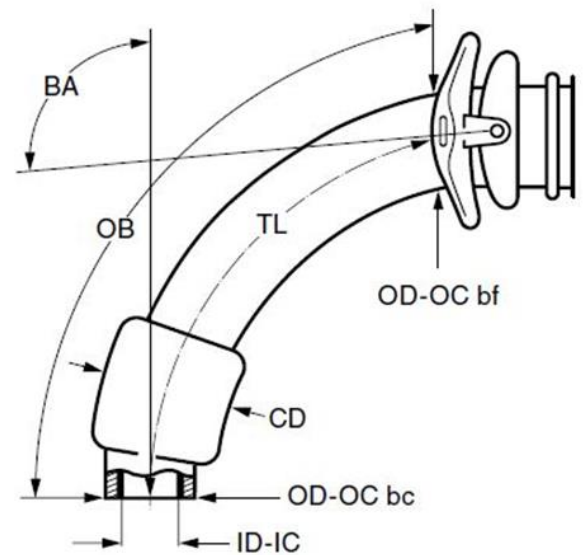
Product classification acc. MDR	IIb
CE Marking	 0123
GMDN	35404
Quality system certified to	EN ISO 13485
FDA registration	Clearance Number K961449

Product Range

Size	Order Number	ID-IC	OD-OC bc	OD-OC bf	TL	OB	BA	Gross Weight	Global Trade Item Number
		mm	mm	mm	mm	mm	°	g	
07	REF 313-07	7,0	9,8	10,1	85	91	100	110	4035324018109
08	REF 313-08	8,0	10,8	11,1	88	95	100	110	4035324018123
09	REF 313-09	9,0	11,8	12,1	90	99	100	112	4035324018130
10	REF 313-10	10,0	12,8	13,1	92	102	100	112	4035324018147

Legend

- ID-IC** Inside diameter at bottom of inner cannula
- OD-OC bc** Outside diameter at bottom of outer cannula
- OD-OC bf** Outside diameter of outer cannula behind the flange
- TL** Length along centre line from start of neck flange to bottom of tube
- OB** Length along outer bend from start of neck flange to bottom of tube
- BA** Bending angle
- CD** Cuff diameter



Breathing-Speaking-Living

Tracoe Medical GmbH
Reichelsheimer Str. 1 / 3
55268 Nieder-Olm
Germany

Atos Medical AB
Hyllie Boulevard 17
215 32 Malmö
Sweden
www.atosmedical.com