

Tracoe Twist Plus Extract – REF 316

Tracheostomy tube with low pressure cuff and subglottic suction channel

Product Description

The Tracoe Twist Plus tracheostomy tubes are used as ventilation and therapy tubes with inner cannulas in hospitals, rehabilitation, and community settings. A special feature is the curved neck flange that moves in both the vertical and horizontal axes, following the movements of the patient's head. The thin tube walls of inner and outer cannulas allow for a good inside - outside diameter ratio. Tracoe Twist and Twist Plus tracheostomy tubes are made of polyurethane (PU). The low-pressure cuff is made of medical grade PVC.



Scope of Supply

- 2 inner cannulas with 15 mm connector
- 2 connectors for suction devices
- Perforated obturator
- Neck strap

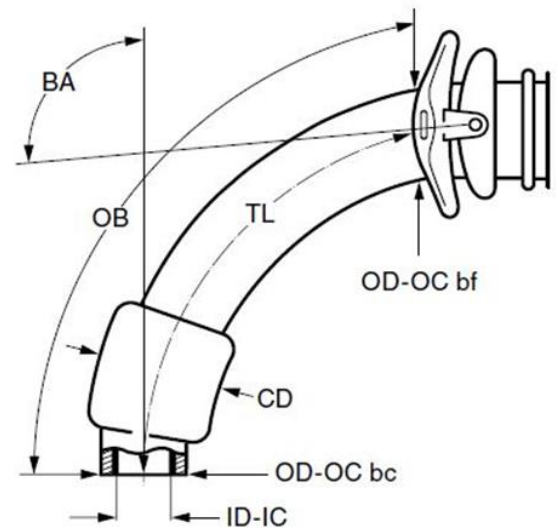
General Information		Material Specifications	
Product line	Twist Plus Extract	Material Outer cannula	Polyurethane
Legal manufacturer	Tracoe Medical GmbH Reichelsheimer Str. 1/3 55268 Nieder-Olm, Germany	Material Neck Flange	Polycarbonate
Country of origin	Germany	Material Cuff	Polyvinylchloride
Colour Coding	REF 316 ++	Biocompatibility	EN ISO 10993-1
Handling			
Shelf life	5 years, from date of production	Storage	
Maximum Useful Life	29 days, from first use		
Packaging		Certification	
Packaging unit	1 unit	Product classification acc. MDR	IIb
Weight	See Table	CE Marking	
Dimensions (W x H x L)	210 x 113 x 50 mm	GMDN	35404
Material outer packaging:	Cardboard box	Quality system certified to	EN ISO 13485
Material sterile packaging:	Sterile bag with medical paper and transparent heatsealable PET/PP foil	FDA registration	Clearance Number K961449

Product Range

Size	Order Number	ID-IC	OD-OC bc	OD-OC bf	TL	OB	BA	CD	Gross Weight	Global Trade Item Number
		mm	mm	mm	mm	mm	°	mm	g	
07	REF 316-07	7,0	9,8	10,1	85	91	100	26	130	4035324019076
08	REF 316-08	8,0	10,8	11,1	88	95	100	28	132	4035324019083
09	REF 316-09	9,0	11,8	12,1	90	99	100	30	134	4035324019090
10	REF 316-10	10,0	12,8	13,1	92	102	100	32	135	4035324019106

Legend

- ID-IC** Inside diameter at bottom of inner cannula
- OD-OC bc** Outside diameter at bottom of outer cannula
- OD-OC bf** Outside diameter of outer cannula behind the flange
- TL** Length along centre line from start of neck flange to bottom of tube
- OB** Length along outer bend from start of neck flange to bottom of tube
- BA** Bending angle
- CD** Cuff diameter



Tracoe Medical GmbH
 Reichelsheimer Str. 1 / 3
 55268 Nieder-Olm
 Germany

Atos Medical AB
 Hyllie Boulevard 17
 215 32 Malmö
 Sweden
www.atosmedical.com