

Tracoe Twist Plus Extract – REF 316-P

Tracheostomy tube with minimally traumatic insertion system, low pressure cuff and subglottic suction channel

Product Description

The Tracoe Twist Plus tracheostomy tubes are used as ventilation and therapy tubes with inner cannulas in hospitals, rehabilitation, and community settings. A special feature is the curved neck flange that moves in both the vertical and horizontal axes, following the movements of the patient's head. The thin tube walls of inner and outer cannulas allow for a good inside - outside diameter ratio. Tracoe Twist and Twist Plus tracheostomy tubes are made of polyurethane (PU). The low-pressure cuff is made of medical grade PVC.



Scope of Supply

- 2 inner cannulas with 15 mm connector
- 2 connectors for suction devices
- Lubricating gel
- Perforated obturator
- Neck strap

General Information	
Product line	Twist Plus Extract
Legal manufacturer	Tracoe Medical GmbH Reichelsheimer Str. 1/3 55268 Nieder-Olm, Germany
Country of origin	Germany
Colour Coding	REF 316-P ++
Handling	
Shelf life	5 years, from date of production
Maximum Useful Life	29 days, from first use
Maximum Useful Life Insertion System	single-use disposable product

Certification	
Product classification acc. MDR	IIb
CE Marking	 0123
GMDN	35404
Quality system certified to	EN ISO 13485
FDA registration	Clearance Number K961449

Material Specifications	
Material Outer cannula	Polyurethane
Material Neck Flange	Polycarbonate
Material Cuff	Polyvinylchloride
Biocompatibility	EN ISO 10993-1

Storage	

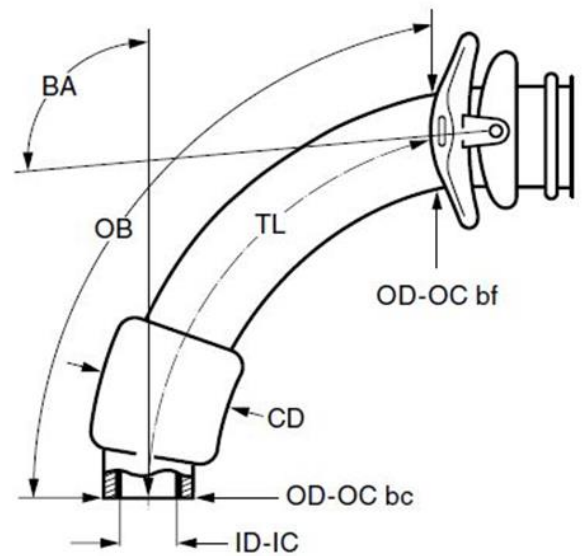
Packaging	
Packaging unit	1 unit
Weight	See Table
Dimensions (W x H x L)	271 x 47 x 113
Material outer packaging:	Cardboard box
Material sterile packaging:	Sterile bag with medical paper and transparent heatsealable PET/PP foil

Product Range

Size	Order Number	ID-IC	OD-OC bc	OD-OC bf	TL	OB	BA	CD	Gross Weight	Global Trade Item Number
		mm	mm	mm	mm	mm	°	mm	g	
07	REF 316-07-P	7,0	9,8	10,1	85	91	100	26	160	4035324019205
08	REF 316-08-P	8,0	10,8	11,1	88	95	100	28	160	4035324019229
09	REF 316-09-P	9,0	11,8	12,1	90	99	100	30	163	4035324019236
10	REF 316-10-P	10,0	12,8	13,1	92	102	100	32	165	4035324019243

Legend

- ID-IC** Inside diameter at bottom of inner cannula
- OD-OC bc** Outside diameter at bottom of outer cannula
- OD-OC bf** Outside diameter of outer cannula behind the flange
- TL** Length along centre line from start of neck flange to bottom of tube
- OB** Length along outer bend from start of neck flange to bottom of tube
- BA** Bending angle
- CD** Cuff diameter



Tracoe Medical GmbH
 Reichelsheimer Str. 1 / 3
 55268 Nieder-Olm
 Germany

Atos Medical AB
 Hyllie Boulevard 17
 215 32 Malmö
 Sweden
www.atosmedical.com