

Tracoe Kids Mini – REF 356

Extension piece for Tracoe Mini tubes, up to an inner diameter of 6 mm

Product Description

True greatness sometimes shows itself in small things. There are two tracheostomy tube product lines in our kids product group: the tried and trusted Tracoe Mini and the silicone tubes Tracoe Silcosoft. The tracheostomy tubes in both these lines have been developed especially for neonates, infants and children. We have focused particularly on the flange design and the use of comfortable materials.

Scope of Supply

- Extension tube



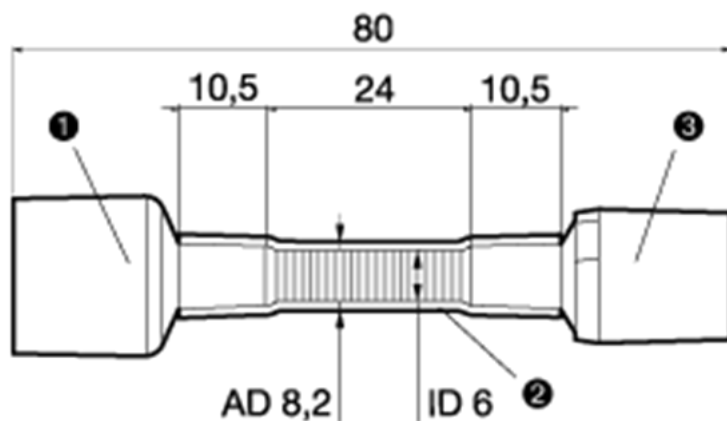
General Information	
Product line	Mini
Legal manufacturer	Tracoe Medical GmbH Reichelsheimer Str. 1/3 55268 Nieder-Olm, Germany
Country of origin	Germany
Handling	
Shelf life	5 years, from date of production
Maximum Useful Life	29 days, from first use
Global Trade Item Number	04035324019069

Material Specifications	
Material spiral-reinforcement	PVC with stainless steel spiral-reinforcement
Material 15 mm connector (male)	Polystyrene
Material 15 mm connector (female)	Polystyrene
Biocompatibility	EN ISO 10993-1

Storage

Packaging	
Packaging unit	1 unit
Weight	77 g
Dimensions (W x H x L)	100 x 154 x 52
Material outer packaging:	Cardboard box
Material sterile packaging:	Sterile bag with medical paper and transparent heatsealable PET/PP

Certification	
Product classification acc. MDR	IIb
CE Marking	
GMDN	42988
Quality system certified to	EN ISO 13485



all information in mm

Legend

- 1 15mm connector (female)
- 2 reinforced tube
- 3 15mm connector (male)



Tracoe Medical GmbH
Reichelsheimer Str. 1 / 3
55268 Nieder-Olm
Germany



Breathing-Speaking-Living

Atos Medical AB
Hyllie Boulevard 17
215 32 Malmö
Sweden
www.atosmedical.com