

Tracoe Kids Silcosoft – REF 362

Tracheostomy tube for neonates and infants, with H₂O cuff, made from silicone

Product Description

True greatness sometimes shows itself in small things. There are two tracheostomy tube product lines in our kids product group: the tried and trusted Tracoe Mini and the silicone tubes Tracoe Silcosoft. The tracheostomy tubes in both these lines have been developed especially for neonates, infants and children. We have focused particularly on the flange design and the use of comfortable materials.



Scope of Supply

- Ring obturator
- Neck strap
- Disconnection wedge

General Information	
Product line	Silcosoft
Legal manufacturer	Tracoe Medical GmbH Reichelsheimer Str. 1/3 55268 Nieder-Olm, Germany
Country of origin	Germany
Colour Coding	
Handling	
Shelf life	5 years, from date of production
Maximum Useful Life	29 days, from first use

Material Specifications	
Material Cannula/Wire Coil	Silicone/Nitinol
Material Neck Flange	Silicone
Material Cuff	Silicone
Biocompatibility	EN ISO 10993-1

Storage

Packaging	
Packaging unit	1 piece
Weight	See Table
Dimensions (W x H x L)	100 x 154 x 52 mm
Material outer packaging:	Cardboard box
Material sterile packaging:	PET blister with medical paper

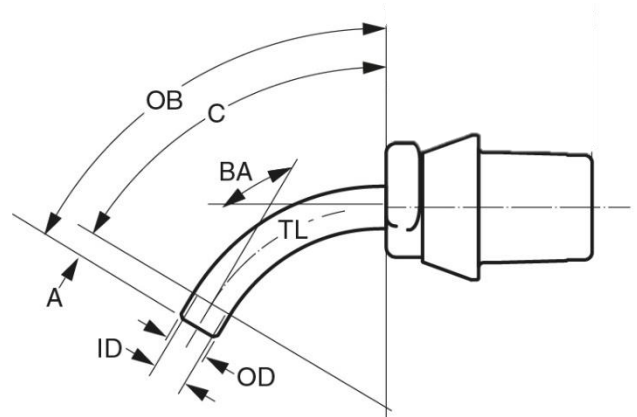
Certification	
Product classification acc. MDR	IIb
CE Marking	
GMDN	35404
Quality system certified to	EN ISO 13485
FDA registration	Clearance Number K172720

Product Range

Size	Order Number	ID	OD	A	C	TL	OB	BA	Gross Weight	Global Trade Item Number
		mm	mm	mm	mm	mm	mm	°	g	
2.5	REF 362-2.5	2,5	4,4	3,2	26,8	30	32	120	153	04035324028207
3.0	REF 362-3.0	3,0	4,9	4,0	28,0	32	34	120	153	04035324028221
3.5	REF 362-3.5	3,5	5,4	5,0	29,0	34	37	120	153	04035324028238
4.0	REF 362-4.0	4,0	6,0	7,0	29,0	36	39	120	153	04035324028245

Legend

- ID-IC** Inside diameter at bottom of inner cannula
- OD-OC bc** Outside diameter at bottom of outer cannula
- OD-OC bf** Outside diameter of outer cannula behind the flange
- TL** Length along centre line from start of neck flange to bottom of tube
- OB** Length along outer bend from start of neck flange to bottom of tube
- BA** Bending angle
- CD** Cuff diameter



Tracoe Medical GmbH
 Reichelsheimer Str. 1 / 3
 55268 Nieder-Olm
 Germany



Breathing-Speaking-Living

Atos Medical AB
 Hyllie Boulevard 17
 215 32 Malmö
 Sweden
www.atosmedical.com