

## Tracoe Twist – REF 303 Tracheostomy tube

### Product Description

The Tracoe Twist tracheostomy tubes are used as ventilation and therapy tubes with inner cannulas in hospitals, rehabilitation, and community settings. A special feature is the curved neck flange that moves in both the vertical and horizontal axes, following the movements of the patient's head. The thin tube walls of inner and outer cannulas allow for a good inside - outside diameter ratio. Tracoe Twist and Twist Plus tracheostomy tubes are made of polyurethane (PU). The low-pressure cuff is made of medical grade PVC.

### Scope of Supply

- 2 inner cannulas with 15 mm connector
- Perforated obturator
- Neck strap



### General Information

Product line	Twist
Legal manufacturer	Tracoe Medical GmbH Reichelsheimer Str. 1/3 55268 Nieder-Olm, Germany
Country of origin	Germany
Colour Coding	<b>REF 303</b>
Handling	
Shelf life	5 years, from date of production
Maximum Useful Life	29 days, from first use

### Packaging

Packaging unit	1 unit
Weight	See Table
Dimensions (W x H x L)	113 x 210 x 50 mm
Material outer packaging:	Cardboard box
Material sterile packaging:	Sterile bag with medical paper and transparent heatsealable PET/PP foil

### Material Specifications

Material Outer cannula	Polyurethane
Material Neck Flange	Polycarbonate
Material Cuff	n. A.
Biocompatibility	EN ISO 10993-1

### Storage



### Certification

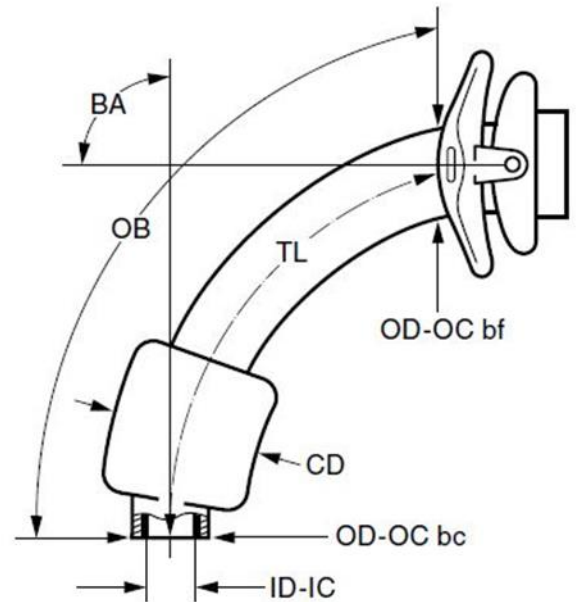
Product classification acc. MDR	IIb
CE Marking	
GMDN	35404
Quality system certified to	EN ISO 13485
FDA registration	Clearance Number K961449

## Product Range

Size	Order Number	ID-IC	OD-OC bc	OD-OC bf	TL	OB	BA	CD	Gross Weight	Global Trade Item Number
		mm	mm	mm	mm	mm	°	mm	g	
04	REF 303-04	4,0	7,2	8,6	59,0	63,0	110	15,0	111	4035324034017
05	REF 303-05	5,0	8,6	10,1	66,0	73,0	100	18,0	112	4035324034116
06	REF 303-06	6,0	9,2	10,8	72,0	79,5	95	23,0	113	4035324034215
07	REF 303-07	7,0	10,4	12,0	74,0	80,5	95	26,0	114	4035324034314
08	REF 303-08	8,0	11,4	12,7	76,0	83,0	90	28,0	115	4035324034413
09	REF 303-09	9,0	12,5	14,2	78,0	88,5	90	30,0	120	4035324063413
10	REF 303-10	10,0	13,8	15,2	80,0	89,5	90	32,0	122	4035324034512

## Legend

- ID-IC** Inside diameter at bottom of inner cannula
- OD-OC bc** Outside diameter at bottom of outer cannula
- OD-OC bf** Outside diameter of outer cannula behind the flange
- TL** Length along centre line from start of neck flange to bottom of tube
- OB** Length along outer bend from start of neck flange to bottom of tube
- BA** Bending angle
- CD** Cuff diameter



Tracoe Medical GmbH  
Reichelsheimer Str. 1 / 3  
55268 Nieder-Olm  
Germany



Breathing-Speaking-Living

Atos Medical AB  
Hyllie Boulevard 17  
215 32 Malmö  
Sweden  
www.atosmedical.com