

## Tracoe Twist – REF 304

### Tracoe Twist with fenestration

#### Product Description

The Tracoe Twist tracheostomy tubes are used as ventilation and therapy tubes with inner cannulas in hospitals, rehabilitation, and community settings. A special feature is the curved neck flange that moves in both the vertical and horizontal axes, following the movements of the patient's head. The thin tube walls of inner and outer cannulas allow for a good inside - outside diameter ratio. Tracoe Twist and Twist Plus tracheostomy tubes are made of polyurethane (PU). The low-pressure cuff is made of medical grade PVC.



#### Scope of Supply

- inner cannula with 15 mm connector
- inner cannula fenestrated with 15 mm connector
- Perforated obturator
- Neck strap

General Information	
Product line	Twist
Legal manufacturer	Tracoe Medical GmbH Reichelsheimer Str. 1/3 55268 Nieder-Olm, Germany
Country of origin	Germany
Colour Coding	REF 304
Handling	
Shelf life	5 years, from date of production
Maximum Useful Life	29 days, from first use

Packaging	
Packaging unit	1 unit
Weight	See Table
Dimensions (W x H x L)	113 x 210 x 50 mm
Material outer packaging:	Cardboard box
Material sterile packaging:	Sterile bag with medical paper and transparent heatsealable PET/PP foil

Material Specifications	
Material Outer cannula	Polyurethane
Material Neck Flange	Polycarbonate
Material Cuff	n. A.
Biocompatibility	EN ISO 10993-1

Storage

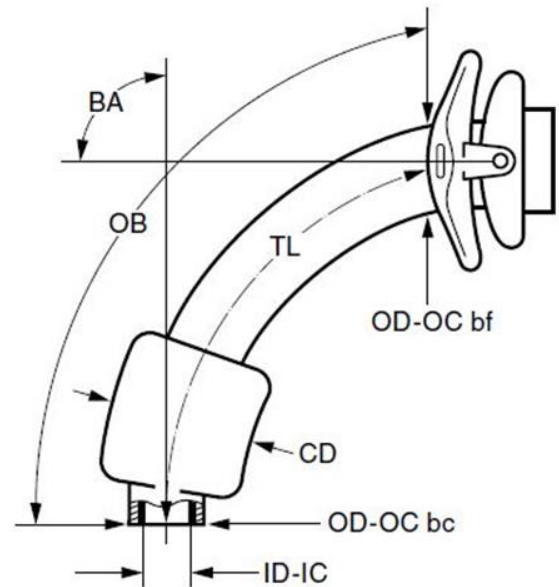
Certification	
Product classification acc. MDR	IIb
CE Marking	
GMDN	35404
Quality system certified to	EN ISO 13485
FDA registration	Clearance Number K961449

## Product Range

Size	Order Number	ID-IC	OD-OC bc	OD-OC bf	TL	OB	BA	CD	Gross Weight	Global Trade Item Number
		mm	mm	mm	mm	mm	°	mm	G	
04	REF 304-04	4,0	7,2	8,6	59,0	63,0	110	15,0	110	4035324034710
05	REF 304-05	5,0	8,6	10,1	66,0	73,0	100	18,0	113	4035324034819
06	REF 304-06	6,0	9,2	10,8	72,0	79,5	95	23,0	114	4035324034918
07	REF 304-07	7,0	10,4	12,0	74,0	80,5	95	26,0	114	4035324035014
08	REF 304-08	8,0	11,4	12,7	76,0	83,0	90	28,0	116	4035324035113
09	REF 304-09	9,0	12,5	14,2	78,0	88,5	90	30,0	117	4035324063512
10	REF 304-10	10,0	13,8	15,2	80,0	89,5	90	32,0	118	4035324035212

## Legend

- ID-IC** Inside diameter at bottom of inner cannula
- OD-OC bc** Outside diameter at bottom of outer cannula
- OD-OC bf** Outside diameter of outer cannula behind the flange
- TL** Length along centre line from start of neck flange to bottom of tube
- OB** Length along outer bend from start of neck flange to bottom of tube
- BA** Bending angle
- CD** Cuff diameter



Breathing-Speaking-Living

Tracoe Medical GmbH  
Reichelsheimer Str. 1 / 3  
55268 Nieder-Olm  
Germany

Atos Medical AB  
Hyllie Boulevard 17  
215 32 Malmö  
Sweden  
[www.atosmedical.com](http://www.atosmedical.com)