

## Tracoe Vario Extract – REF 470

Tracheostomy tube with adjustable neck flange, low-pressure cuff, subglottic suction, scale and 15 mm connector

### Product Description

Tracoe Vario is a soft, flexible tube with an adjustable neck flange. By means of a practical push-button mechanism, the flange can be moved and individually adjusted for each patient. In this way, the correct length can be achieved. A scale ensures the exact positioning of the neck flange in preparation for a tube change. The flange is then locked in place by moving the orange lever upward. Locking with a twist lock is no longer necessary. Tracoe Vario tubes are made of DEHP-free, medical grade PVC and are available with and without spiral-reinforcement. The assortment includes both standard and extra-long versions.



### Scope of Supply

- Obturator
- Adjustable neck strap
- Product info card with two detachable labels

### General Information

Product line	Vario Extract
Legal manufacturer	Tracoe Medical GmbH Reichelsheimer Str. 1/3 55268 Nieder-Olm, Germany
Country of origin	Germany
Colour Coding	<b>REF 470</b>
Handling	
Shelf life	5 years, from date of production
Maximum Useful Life	29 days, from first use

### Packaging

Packaging unit	1 piece
Weight	See Table
Dimensions (W x H x L)	210 x 113 x 50 mm
Material outer packaging:	Cardboard box
Material sterile packaging:	Sterile bag with medical paper and transparent heatsealable PET/PP foil

### Material Specifications

Material Outer cannula	Polyvinylchloride
Material Neck Flange	Polysulfone/ TPE
Material Cuff	Polyvinylchloride
Biocompatibility	EN ISO 10993-1

### Storage



### Certification

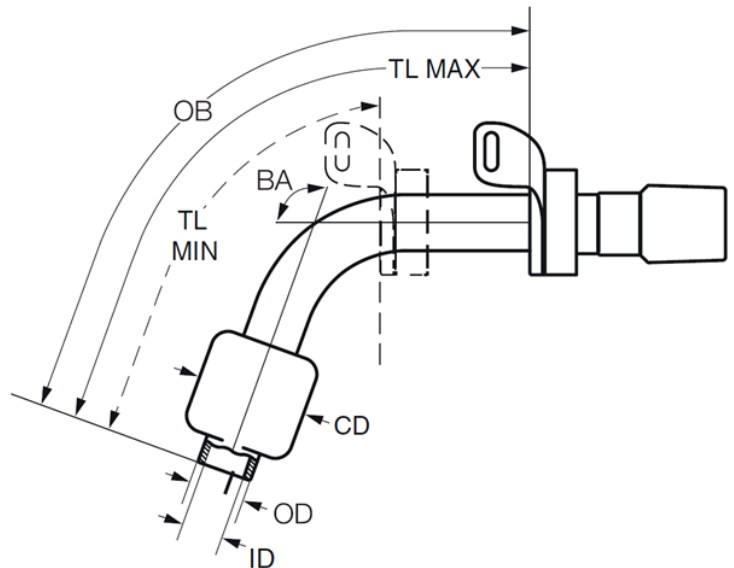
Product classification acc. MDR	IIb
CE Marking	
GMDN	35404
Quality system certified to	EN ISO 13485
FDA registration	Clearance Number K203362

## Product Range

Size	Order Number	ID	OD	TL (TL Min-TL Max)	OB	BA	CD	Gross weight	Global Trade Item Number
		mm	mm	mm	mm	°	mm	g	
07	REF 470-07	7.0	9.7	55.0 – 70.0	86	100	23.0	177	04035324013005
08	REF 470-08	8.0	11.2	63.0 – 83.0	97	100	28.0	182	04035324013029
09	REF 470-09	9.0	12.3	64.0 – 91.0	106	100	30.0	184	04035324013036
10	REF 470-10	10.0	13.7	64.0 – 99.0	120	100	32.0	189	04035324013043

## Legend

- ID Inner diameter at bottom of cannula
- OD Outer diameter at bottom of cannula
- TL MIN Minimum length along centre line
- TL MAX Maximum length along centre line
- OB Length along outer bend
- BA Bending angle
- CD Cuff diameter



Tracoe Medical GmbH  
 Reichelsheimer Str. 1 / 3  
 55268 Nieder-Olm  
 Germany



Breathing-Speaking-Living

Atos Medical AB  
 Hyllie Boulevard 17  
 215 32 Malmö  
 Sweden  
[www.atosmedical.com](http://www.atosmedical.com)