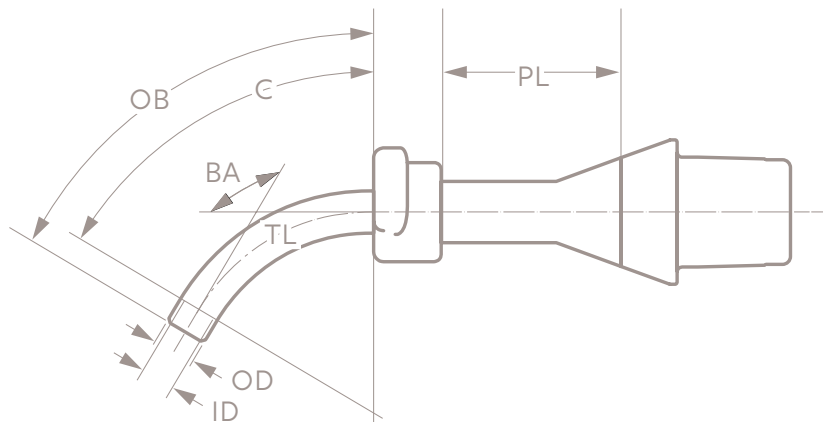


Technical Data

Tracoe Silcosoft for Neonates and Infants

REF 360, REF 361, REF 362, REF 363



For reasons of clarity, this illustration shows proximal longer Tracoe Silcosoft tubes (REF 361 and REF 363)

Size	ID	OD	C	TL	OB	BA	PL
	mm	mm	mm	mm	mm	°	mm
2.5	2.5	4.4	26.8	30	32	120	15
3.0	3.0	4.9	28.0	32	34	120	17
3.5	3.5	5.4	29.0	34	37	120	20
4.0	4.0	6.0	29.0	36	39	120	22

ID: inside diameter (clear width) of tube; **OD:** outside diameter of tube;
C: length; **TL:** length along centre line from start of neck flange to bottom of tube; **OB:** length along outer bend from start of neck flange to bottom of tube; **BA:** bending angle **PL:** proximal longer