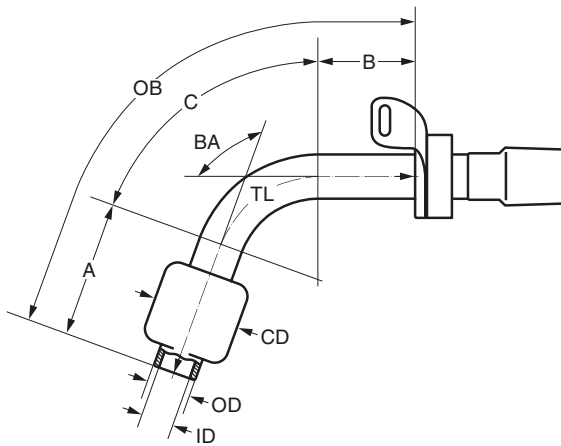


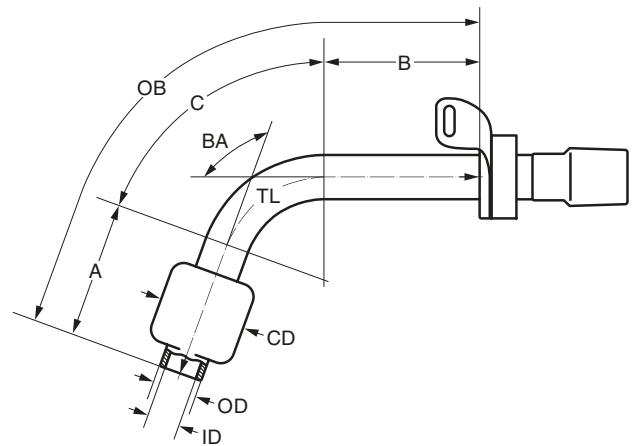
Technical Data

TRACOE vario



To order, please specify: **REF + Size**, e.g. **REF 450-08**

TRACOE vario XL



To order, please specify: **REF + Size**, e.g. **REF 451-09**

TRACOE vario

Size	ID mm	OD mm	OB mm	CD mm	BA ∅°	REF 450	REF 450-P	REF 455	REF 460	REF 460-P	REF 464	REF 470	REF 470-P
						TL (min-max) mm	TL (min-max) mm	TL (min-max) mm	TL (min-max) mm	TL (min-max) mm	TL (min-max) mm	TL (min-max) mm	TL (min-max) mm
06	6.0	8.2	76	18	100	50.0 – 62.0		59.5 – 71.5	50.0 – 62.0				
07	7.0	9.7	86	23	100	53.0 – 68.0	53.0 – 68.0	64.5 – 79.5	54.0 – 69.0	54.0 – 69.0	64.0 – 79.0	55.0 – 70.0	55.0 – 70.0
08	8.0	11.2	97	28	100	64.0 – 84.0	64.0 – 84.0	71.5 – 91.5	65.0 – 85.0	65.0 – 85.0	71.0 – 91.0	63.0 – 83.0	63.0 – 83.0
09	9.0	12.3	106	30	100	66.0 – 93.0	66.0 – 93.0	76.0 – 103.0	64.0 – 91.0	64.0 – 91.0	76.0 – 103.0	64.0 – 91.0	64.0 – 91.0
10	10.0	13.7	120	32	100	63.0 – 98.0		75.0 – 110.0	68.5 – 103.5			64.0 – 99.0	64.0 – 99.0
11	11.0	14.8	121	34	100	68.0 – 103.0		77.0 – 112.0	68.0 – 103.0				

TRACOE vario XL

Size	ID mm	OD mm	OB mm	CD mm	BA ∅°	REF 451	REF 451-P	REF 461	REF 461-P	REF 471	REF 471-P
						TL (min-max) mm	TL (min-max) mm	TL (min-max) mm	TL (min-max) mm	TL (min-max) mm	TL (min-max) mm
07	7.0	9.7	110	23	100	65.0 – 98.0	65.0 – 98.0	64.5 – 97.5	64.5 – 97.5		
08	8.0	11.2	128	28	100	76.0 – 116.0	76.0 – 116.0	73.5 – 113.5	73.5 – 113.5	73.0 – 113.0	73.0 – 113.0
09	9.0	12.3	134	30	100	73.5 – 118.5	73.5 – 118.5	78.0 – 123.0	78.0 – 123.0	73.5 – 118.5	73.5 – 118.5
10	10.0	13.7	146	32	100	85.0 – 130.0		84.5 – 129.5		80.0 – 125.0	

ID: inner diameter (clear width) at bottom of cannula; **OD:** outer diameter at bottom of cannula; **A:** length; **C:** length; **B:** length; **TL:** length along center line; **OB:** length along outer bend; **BA:** bending angle; **CD:** cuff diameter